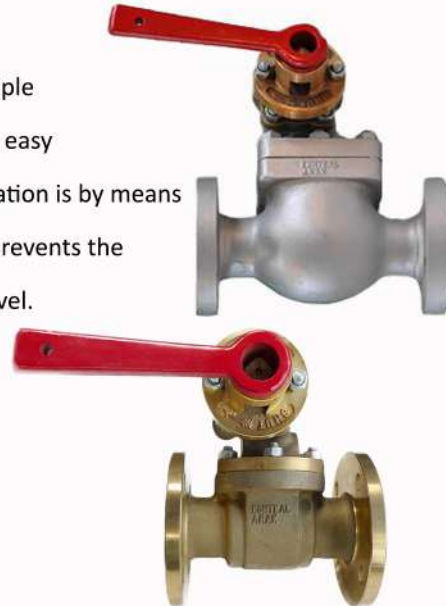




## Parallel Slide Blowdown Valve

### Description

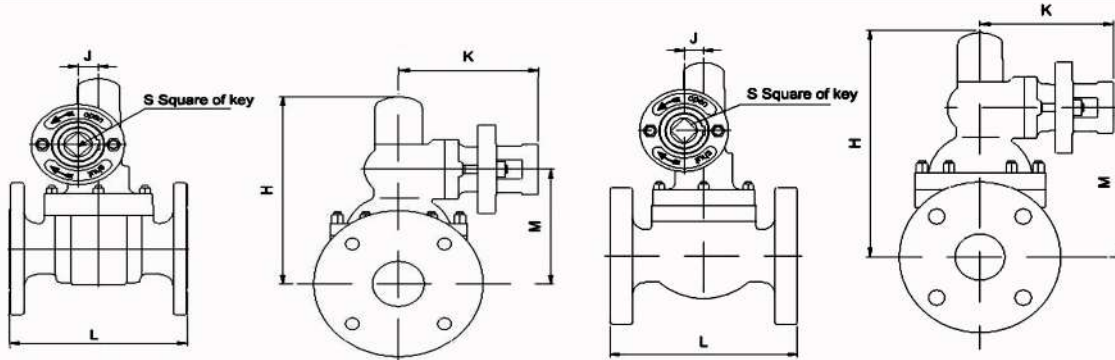
These valves are constructed on the parallel slide stop valve principle which provide an uninterrupted flow through the valve and ensures easy operation and fluid tightness under all conditions of service. operation is by means of rack and pinion removable box-key. a stop on the pinion shaft prevents the possibility of straining the rack and pinion teeth at the ends of travel. the gland is fitted with a special locking guard which prevents the removal of the box-key unless the valve is closed. acc. to BS.759



### Sizes and pipe connections

Dimensions are approximate and in mm.

Body material	Size	Flange Standard	F	N	O	P	L	H	M	S	J	K
Bronze 150 psi	2"	BS 10 Table F	165	4	17	127	188	212.5	129.5	20	19	145
		BS 1560 Class150	165	4	17	127	210	212.5	129.5	20	20	145
		BS 4505 PN16	165	4	19	125	188	212.5	129.5	20	19	145
Gunmetal 300 psi	2"	BS 10 Table H	165	4	17	127	198	212.5	129.5	20	19	145
		BS 1560 Class 300	165	8	19	127	198	212.5	129.5	20	19	145
		BS 4505 PN40	165	4	19	125	198	212.5	129.5	20	19	145
Steel 300 psi	1 ½"	BS 10 Table H	140	4	17	105	267	254	171	20	19	145
		BS 1560 Class300	156	4	22	114						
		BS 4505 PN40	150	4	19	110						
	1 ¼"	BS 10 Table H	133	4	17	98	261	254	171	20	20	145
		BS 1560 Class300	133	4	19	98						
		BS 4505 PN40	140	4	19	100						



Body material Bronze & Gunmetal

Body material : Cast Steel



02166479486  
0912 8448763  
0919 0345384

تماس 24 ساعته ، حتی روز تعطیل

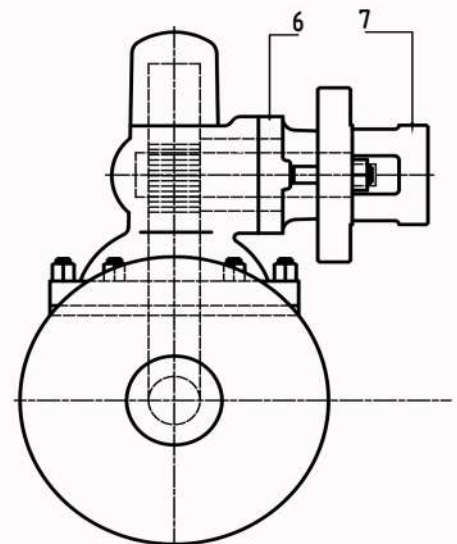
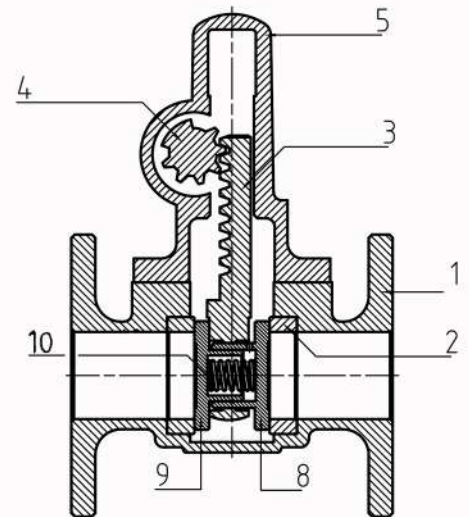
## Parallel Slide Blowdown Valve

### Limiting Conditions

Flange standard	Pressure / temperature rating							
	BS 4505 PN16	Temperature (°C)	-18 to 121	149	177	204	232	260
Pressure (bar)		20.7	20.7	20.7	16.9	13.4	10.3	-
BS 4505 PN40	Temperature (°C)	-18 to 121	150	180	200	220	250	260
	Pressure (bar)	25	25	25	21.2	17.5	12.2	10.5
Table F	Temperature (°C)	-18 to 120	150	149	177	204	232	260
	Pressure (bar)	16	16	16	13.51	11.3	8	7
Table H	Temperature (°C)	-18 to 120	150	149	177	204	232	260
	Pressure (bar)	25	25	25	21.2	17.5	12.2	10.5

### Material

Num.	Part name	Material		
		1	Body	Bronze casting
2	Seat	Nickel alloy		
3	Rack	Gunmetal		
4	Pinion	Gunmetal		
5	Bonnet	Bronze	Cast steel (A216-WCB)	Gunmetal
6	Packing bushing	Bronze		
7	Gland bushing	Bronze		
8	Female disk	Nickel alloy		
9	Male disk	Nickel alloy		
10	spring	Stainless steel		



### How to order

Connection size

Fluid and working conditions

02166479486  
0912 8448763  
0919 0345384



تھامس 24 ساعته ، حتی روز تعطیل

## Parallel Slide Blowdown Valve Link type for small boilers

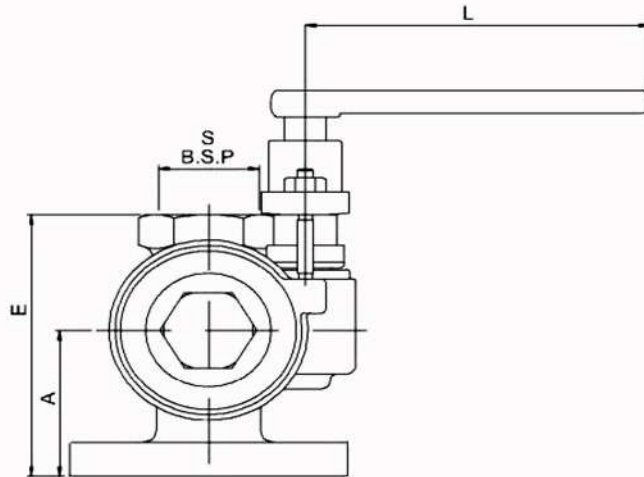
### Description

These valves is an adaptation parallel slide valve which is designed to ensures ease of operation and tight closure.  
the valve being suitable for flow in either direction.  
the valve opens with less than a quarter turn of the box-key.  
a lever type box-key is supplied with each valve.  
acc. to BS.759



### Sizes and pipe connections

Dimensions are approximate and in mm.



Size	Flange standard	S	L	A	E
1"	BS 10 Table F	1"	121	74.5	125.5
1 ¼"	BS 10 Table F	1 ¼"	149	77	138
1 ½"	BS 10 Table F	1 ½"	149	77	138

### Limiting Conditions

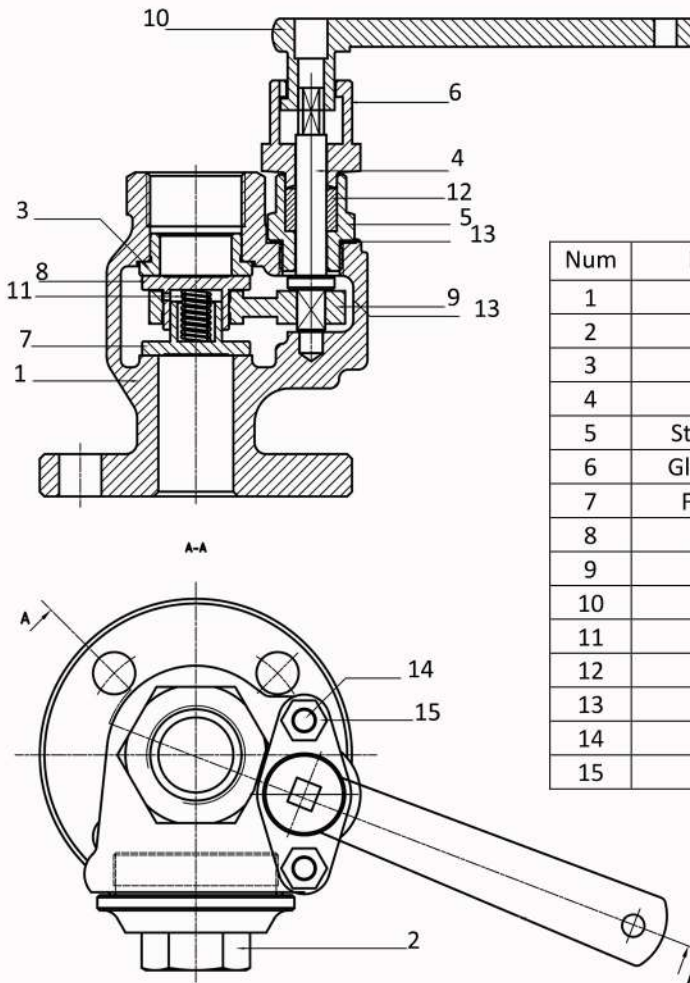
Pressure/temperature rating	Pressure (bar)	18.5
	temperature	Steam at saturated temp.





## Parallel Slide Blowdown Valve Link type for small boilers

### Material



Num	Part name	Material
1	Body	Bronze
2	Plug	Bronze
3	Seat	Alloy nickel
4	Stem	Stainless Steel
5	Stem Bushing	Brass
6	Gland bushing	Bronze
7	Female disk	Alloy nickel
8	Male disk	Alloy nickel
9	Linkage	Bronze
10	Wrench	Cast iron (GG25)
11	Spring	Stainless Steel
12	Packing	Teflon packing
13	Washer	Copper
14	Stud	Steel
15	Nut	Steel

### How to order

Connection size

working pressure and temperature: (bar, C)

تماس 24 ساعته حتی تعطیلات

09128448763

021 66479486

www.Controltak.com

Controltak@gmail.com

Controltak

اینستاگرام Control-Tak